



SE - 86T

SLIDING SYSTEM

Double Rails With Anodized Track

ALUMEG

Integrated Façade Solutions



WWW.ALUMEG.COM

SLIDING SYSTEM SE 86T W&D

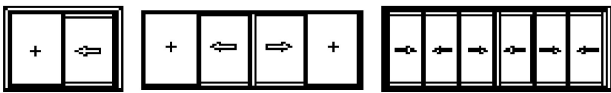
Windows & Doors

Double Sliding Rail with Track

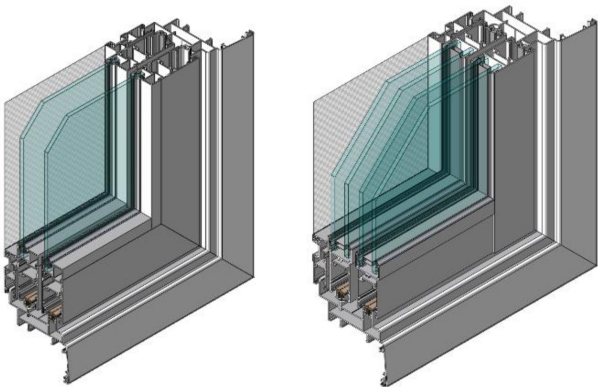
SE 86T W&D Window & Door System enables the construction of various window and door type configurations. The system consists of many of standard profiles, reinforced profile for extra strength, and any custom made profiles could be designed upon request.

System Description

SE 86T W&D is a non-thermally broken sliding system. Sliding rail with anodized profile insertion. The frame could be boxed or single layer for most economic small opening. High quality of brushes with nylon fin allowing for superior tightness. Fly screen available integrated with the frame or add-on thus allowing to be fixed both sides of the opening. Built in architrave, non architrave, and add-on architrave with various architrave and glazing bead designs to suit different styles.



Opening Configurations: varies opening configuration such as two sliding leaves, three sliding leaves and up to six sliding leaves. Thus allowing for wide opening up to seven meters with one panel only at each side. Thanks to the patented design of the extendable frame by ALUMEG.



Glazing Thickness

Sliding system leaves could be with or without glazing bead. Glass should conform to the requirements of BS 6262 & ASTM E 1300-3 for thickness and type, in terms of wind resistance, safety and security.

Glazing thickness 6: 28 mm

Drainage

SE 86T W&D has a specially designed "weep" drainage system with vented slots on the exterior bottom of the frames to protect the inside of your property. The weep system allows water to drain to the outside as it builds up. Drainage plastic cover cap prevents the water from penetrating inside the system but allows the air to

pressure equalize the frame cavity to promote drainage efficiency.

Sound Insulation Performance

Depending largely upon the glass specification, generally the window framing reduces the figure by 2 to 3 db(A) (a sound reduction of approx. 40 DBA can be achieved).

Materials

The system is constructed from extruded aluminium profiles, using alloy **6063** subject to **T5** thermal treatment, following **UNE EN – 573-1** standard. Profiles are extruded following the standard **UNE EN – 12020 & UNE EN – 755**.

Construction

Varies fabrication and installation methods using corner crimping or corner with internal clasp, 90° and 45° connection using variety of fitting sources such as Italian, Portugal, Greece, and Turkish manufacturer. The system allows the adaptation of the **European Groove** fittings. All instructions regarding the manufacture and installation of the system must be strictly followed.

Weathering

Glazing vision strips are made of EPDM conforming to BS 4255 Part 1.

Technical Performance

The system can achieve the following criteria when manufactured, installed and glazed according to ALUMEG recommended procedures and fabrication manual.

System Classifications

- Air permeability: **Class 3**
Classification according to **UNE-EN 12207:2000**
Tested according to UNE-EN 1026:2000
- Water tightness: **Class 7A**
Classification according to **UNE-EN 12208:2000**
Tested according to UNE-EN 1027:2000
- Wind resistance: **Class B2**
Classification according to **UNE-EN 12210:2000**
Tested according to UNE-EN 12211:2000

Size limitations

Size limitation of the system depends on various parameters such as wind load, glazing thickness, leaf size and weight, and mullion/transom members used to suit the span.

- Sash overall weight Up to 250 kg
- Capacity depends on opening and hardware configuration
- Sash dimension limit (width) 2250 mm
 - Sash dimension limit (height) 2800 mm